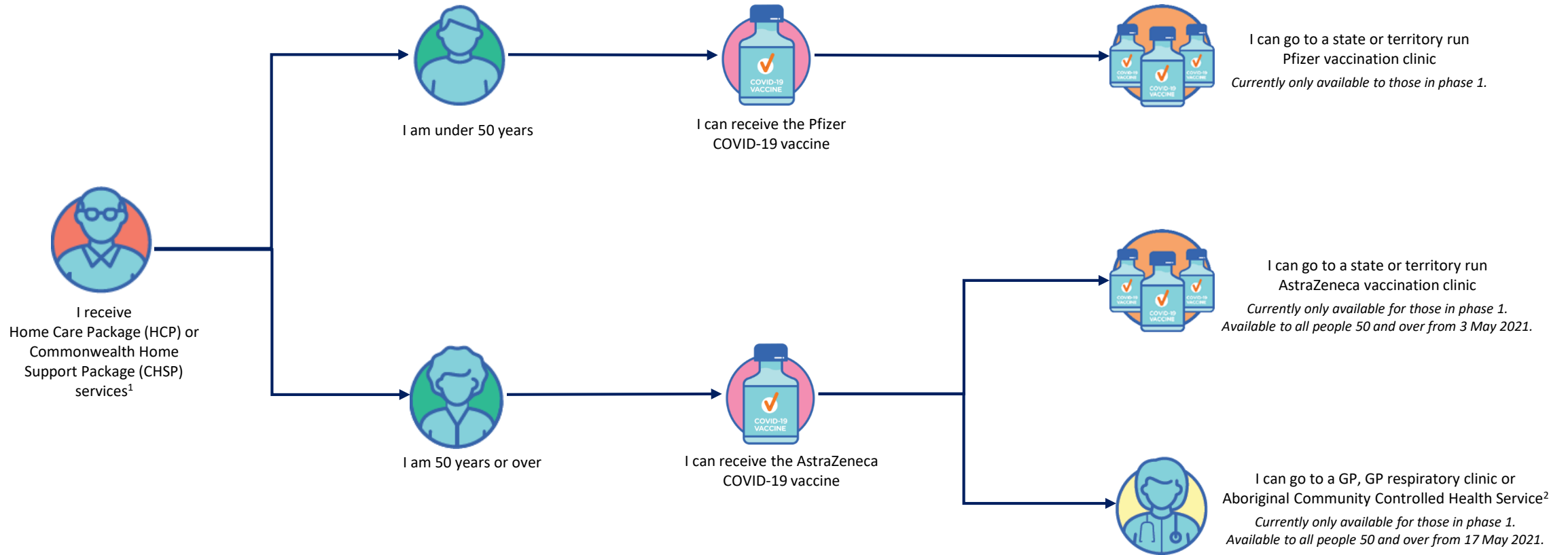


# How in-home and community care recipients can get a COVID-19 vaccination



<sup>1</sup>If you live in a rural or remote residential aged care community, you will be advised if you can receive your vaccine as part of a whole of community vaccination clinic.

<sup>2</sup>If you are unable to attend a clinic you can with a participating primary health care provider whether they are able to conduct a home visit.